

Overall Dimensions and performance parameters of DCL-Ex10/20 Explosion proof Type

Type Performance Power Parameters	DCL—Ex10					DCL—Ex20			
	DC24V	AC24V	AC110V	AC380V	AC220V	DC24V	AC110V	AC380V	AC220V
Motor Power	25W	25W	25W	15W	25W	25W	40W	30W	40W
Rated Current	2.20A	2.12A	0.57A	0.10A	0.30A	3.12A	0.63A	0.19A	0.35A
Standard Time/Torque	30S/100Nm					60S/200Nm	30S/200Nm		
Optional Time/Torque	15S/50Nm				15S/50Nm 60S/100Nm	30S/100Nm	15S/100Nm	15S/100Nm 60S/200Nm	
Turning Angle	0 ~ 90° Adjustable								
Available Control Circuit	Types of A、B、C、D、E、F、G、H								
Total Weight	5.0kg					5.5kg			
Insulating Resistance	DC24V/AC24V: 100MΩ/250VDC AC110V/AC220V/AC380V: 100 MΩ/500VDC								
Withstand Voltage Class	DC24V/AC24V: 500VAC 1minutes, AC110V/AC220V:1500VAC 1minutes, AC380V:1800VAC 1minutes								
Protection Class	IP68								
Explosive-proof grade	Exd II BT4Gb								
Installation Angle	360° at any angle								
Electric Interface	2-M20×1.5 explosion-proof plug, clients should install corresponding explosion-proof cable connector when using according to the cable selected.								
Ambient Temperature	-20℃ ~ +60℃								
Optional Function	◆Over-torque Protector ◆Heater for eliminating moisture								



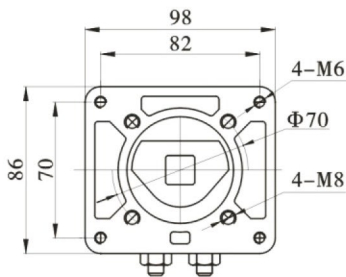
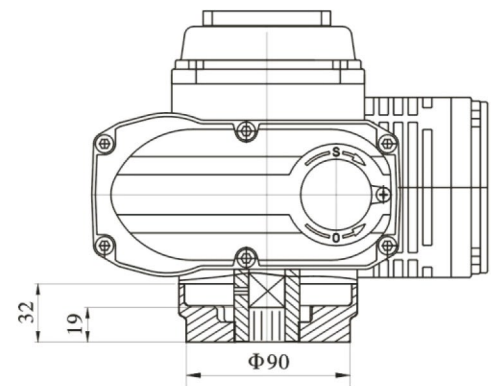
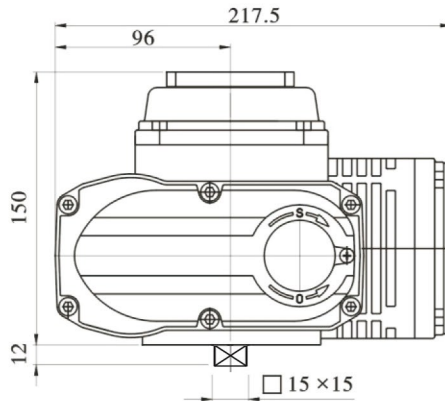
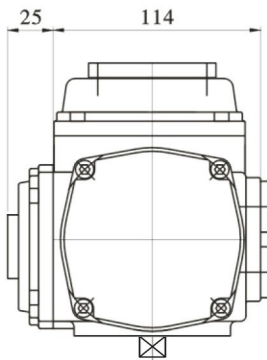
Explosion-proof standard type



Explosion-proof Direct Installation Type

Explosion-proof standard type

Explosion-proof Direct Installation Type



Parameters for direct installation		
	Ex10	Ex20
Square	□9×9 □14×14 □17×17	□14×14 □17×17
Flange	F05 F07	
Valve stem	Height ≤ 19mm	

